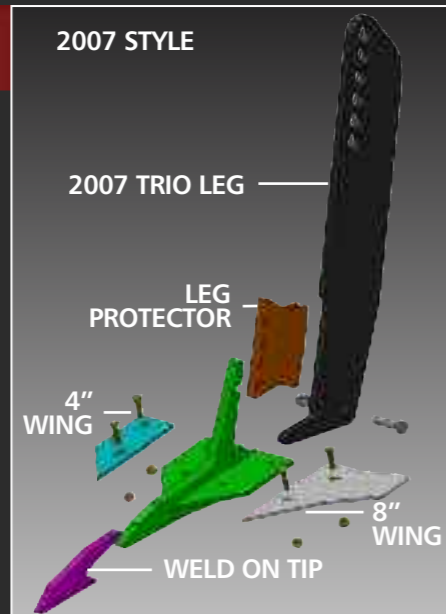


WEARING PARTS

Sumo invest heavily in research and development, with the aim of making wearing parts longer lasting and user friendly.



SUMO TRIO



SAVE FUEL & REDUCE YOUR CARBON FOOTPRINT

Farmers who use the Sumo Trio consume far less fuel to establish their crop. This has a big effect on overall profitability, while also vastly reducing the carbon footprint, due to the double benefit of low fuel consumption and less carbon dioxide release from not inverting the soil. Just one Trio used in the place of a plough on 200ha over one year would offset the whole of the Co² produced in the Sumo factory in three years.



RASE AWARDS 2007 AND 2011

Following on from the RASE Silver Medal Award in 2007, the Sumo philosophy of continuing development of our machines through investment in R&D has been recognised again by our award of the Sir Roland Burke Machinery Trophy in 2011. This is presented to a company with manufacturing facilities in the UK which has distinguished itself by making significant contributions over a number of years to the development of mechanisation in specific fields or by supplying a substantial range of products.

The Judges selected Sumo as meeting all of the criteria and being a forward-thinking, innovative company who identify the demands of British agriculture and effectively deliver solutions, providing a valuable and long lasting contribution to the agricultural sector.

THE UK'S NUMBER 1
SELLING ONE-PASS
CULTIVATOR



Sumo UK Ltd
Redgates, Melbourne, York YO42 4RG

T +44 (0) 1759 319900
F +44 (0) 1759 319901

YOUR SUMO DEALER

Sumo UK Ltd reserve the right to make any alterations without prior notice. All specifications are to be used as guides only. Prices shown are correct at time of printing. A full version of Sumo UK Ltd Terms & Conditions of Business is available on request

www.sumo1.com

sales@sumo1.com

T +44 (0) 1759 319900

www.sumo1.com

MOUNTED TRIO



Disc to cultivate and mix

Multipacka consolidates to leave weatherproof finish

Subsoil down to 400mm

An innovative new design for the soil retainers allows them to swing in when the Trio is raised, giving a transport width of 3m.

The SUMO TRIO is a unique machine designed and manufactured in Britain, comprising, as its name suggests, of three parts each of these tuned to comprehensively create a seedbed in one pass.



Over 2500 Trios now cultivating worldwide

MODEL	WORKING WIDTH	TRANSPORT WIDTH	SUBSOILER LEG	MACHINE WEIGHT	LEG SPACING	TYPE	HP
trio 2.5 A/R	2.4m	2.55m	5	2420kg	500mm	Rigid	120 - 190
trio 3 A/R	2.9m	3.0m	6	2785kg	500mm	Rigid	140 - 280

FIRSTLY

The ultra low draft auto-reset subsoiler legs are mounted on a heavy duty toolbar with a forward stagger of 330mm and 500mm sideways to allow for trash flow. Adjusting to a maximum depth of 400mm (at the point) via pins and featuring quick change points. The auto-reset rams are double acting, allowing the legs to be retracted when the machine is in transport.



Unique system allows full leg breakback without hitting discs.

"Best tool we've bought for years without a doubt, I've never drilled into seedbeds like I have this year, first class!"



SECONDLY

A removable, double row of concave discs mounted in pairs on independently suspended arms giving a shock-proof durable system with quality greasable low maintenance triple sealed bearings.



Double mounting gives unrivalled performance when working in adverse conditions.



The disc frame is easily detached from the frame via bolts; this allows the Trio to be used as a shallow subsoiler with low surface disturbance, ideal for subsoil sowing oilseed rape.



THIRDLY

The patented Multipacka on Mounted Trios is based on a 510mm barrel with bolted replaceable shoulders, with a positive drive kit to give the packer extra ground contact ensuring it will turn in all weather conditions. The positive drive kit gives all the benefits of a 800mm packer. Tried and tested ring shoulders feature a convex shape adjacent to the barrel, creating consolidation and cracking even on top of the ridge.



TRAILED RIGID TRIO

FROM STUBBLE TO SEEDBED IN ONE PASS FOR 85% OF OWNERS.



The 3.0m and 3.5m Trios are available as a Trailed Rigid machine.

OPTIONS INCLUDE

- Front discs.
- Sumoseeder c/w fitting kit.
- The foam-filled tyre packer is available as an option on Trailed machines.
- If required, either front or secondary discs - or auto-reset legs - can be removed

MODEL	WORKING WIDTH	TRANSPORT WIDTH	SUBSOILER LEG	LEG SPACING	TYPE	HP
trio 3 trailed A/R	3.0 m	3.25 m	6	500 mm	Rigid	175 - 325
trio 3.5 trailed A/R	3.5 m	3.75 m	6	583 mm	Rigid	200 - 350
trio 3 trailed c/w front discs A/R	3.0 m	3.25 m	6	500 mm	Rigid	200 - 350
trio 3.5 trailed c/w front discs A/R	3.5 m	3.75 m	6	583 mm	Rigid	200 - 390



SUMOSEEDER

Over the last ten years, Trio seeding OSR has become the norm rather than the exception on many UK farms. This has resulted in a large percentage of the UK's OSR being established in one pass, saving both time and money, along with the added bonus of moisture retention and more often than not a welcome yield benefit.

Fitted to a Trio the Sumoseeder enables one pass establishment of oilseed rape directly into stubble greatly reducing the cost of production without compromising seedbed quality.

- In cab variable seed rate adjustment.
- Radar for accurate speed measurement.
- Twin electric fans supplying individual air for each row.
- Push button calibration procedure.
- The Sumoseeder comes with a fitting kit which includes rear steps, seeder mounts and sensor mounts.
- 6 adjustable seed outlets to allow band or full width sowing mounted in front of the packer.
- Electronic hopper low level sensor with cab alarm.
- 120 litre hopper with lid.
- Integrated calibration tray.
- Forward speed display.
- Work rate display.
- Areameter.
- Fan speed alarm.



Sumoseeder cover



This picture shows OSR from two neighbouring fields, both heavy land, one sown with a Trio at full depth 14", the other min-tilled and drilled conventionally, the very small plants are from the drill tractor wheelings.

"Our OSR established using a Sumoseeder on a 4m Sumo Trio is so impressive I have ordered a second outfit." Germany Farms, Newark.



Typical Trio Seeded Oilseed Rape

"Having established our OSR using a Trio and seeder for two years now, I have to say we have never had such strong forward crops going into Winter" George Atkinson, Lincolnshire.

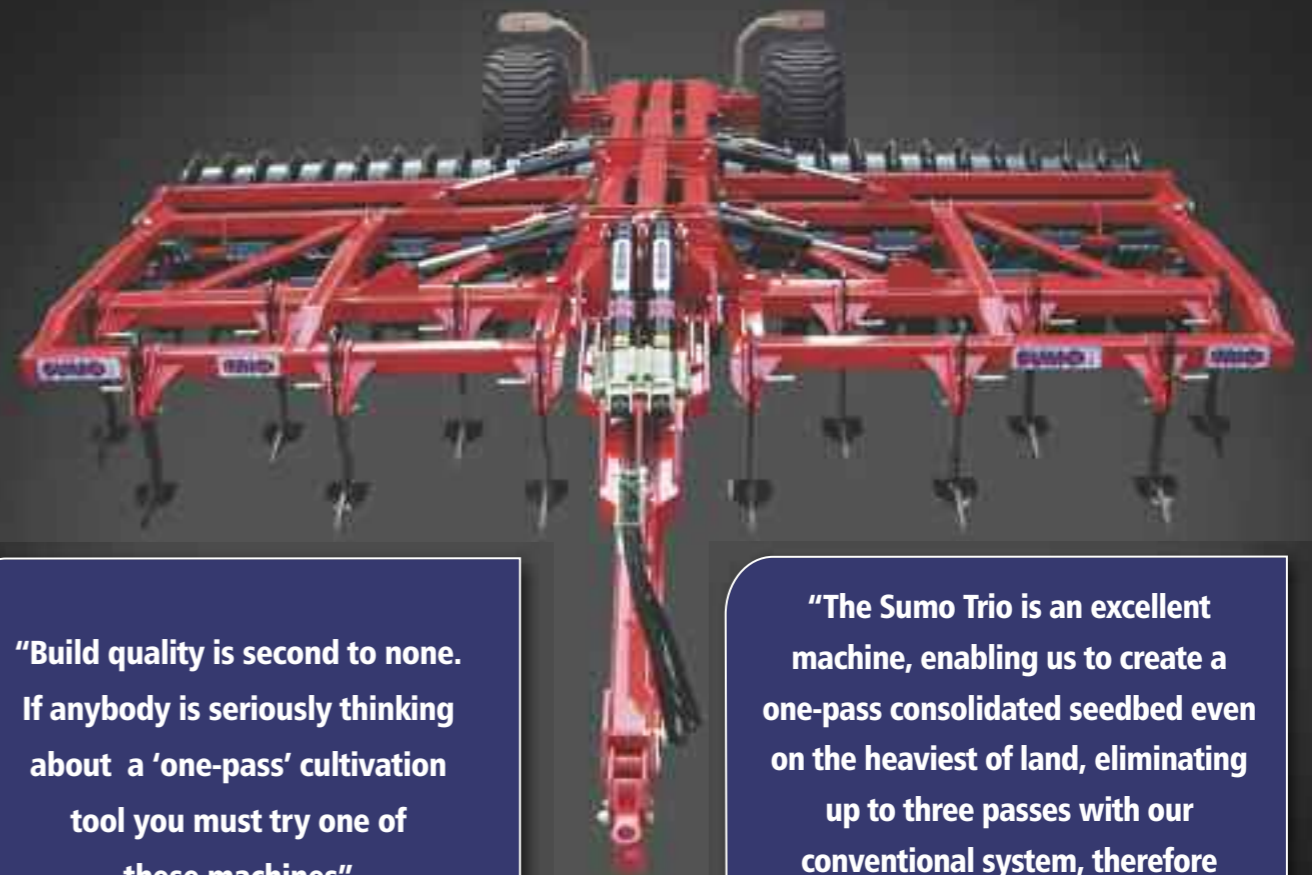
TRAILED TRIO



The Trailed Trio has the main working parts and specification as the mounted Trio with the additional features:

- At the front is the Sumo level-hitch drawbar, designed to keep the towing eye parallel to the ground at all times, greatly reducing pin/hitch wear.
- The main frame is the familiar Sumo tri-box design - giving strength and rigidity for a trouble free working life.
- At the rear is a heavy-duty 10 stud braked axle fitted with 600mm wide flotation tyres, quality Rubbolite lights are also fitted as standard.
- The above features make the trailed Trio a very heavy duty, one-pass stubble cultivator that is capable of handling 600 horsepower, with a weight of approximately 2 tonnes per metre, giving unrivalled cultivating and packing creating a machine where no corners have been cut.
- Pin adjustment on subsoiler legs.
- Slice adjustment on front ram.
- Pin adjustment on packer.

Options for the trailed Trio are: auto-reset legs, front disc units (4.0m & 4.5m only) and tyre packers.



"Build quality is second to none. If anybody is seriously thinking about a 'one-pass' cultivation tool you must try one of these machines"

"The Sumo Trio is an excellent machine, enabling us to create a one-pass consolidated seedbed even on the heaviest of land, eliminating up to three passes with our conventional system, therefore substantially reducing costs"



MODEL	WORKING WIDTH	TRANSPORT WIDTH	SUBSOILER LEG	LEG SPACING	TYPE	HP
tr trio 4.0	4.1 m	3.0 m	7	570 mm	Hyd Folding	250-350
tr trio 4.0 A/R	4.1 m	3.0 m	7	570 mm	Hyd Folding	250-350
tr trio 4.5	4.6 m	3.0 m	9	500 mm	Hyd Folding	280-400
tr trio 4.5 A/R	4.6 m	3.0 m	9	500 mm	Hyd Folding	280-400
tr trio 5.5	5.6 m	3.0 m	11	500 mm	Hyd Folding	350-450
tr trio 5.5 A/R	5.6 m	3.0 m	11	500 mm	Hyd Folding	350-450
tr trio 6.5	6.6 m	3.0 m	13	500 mm	Hyd Folding	450-600
tr trio 6.5 A/R	6.6 m	3.0 m	13	500 mm	Hyd Folding	450-600

