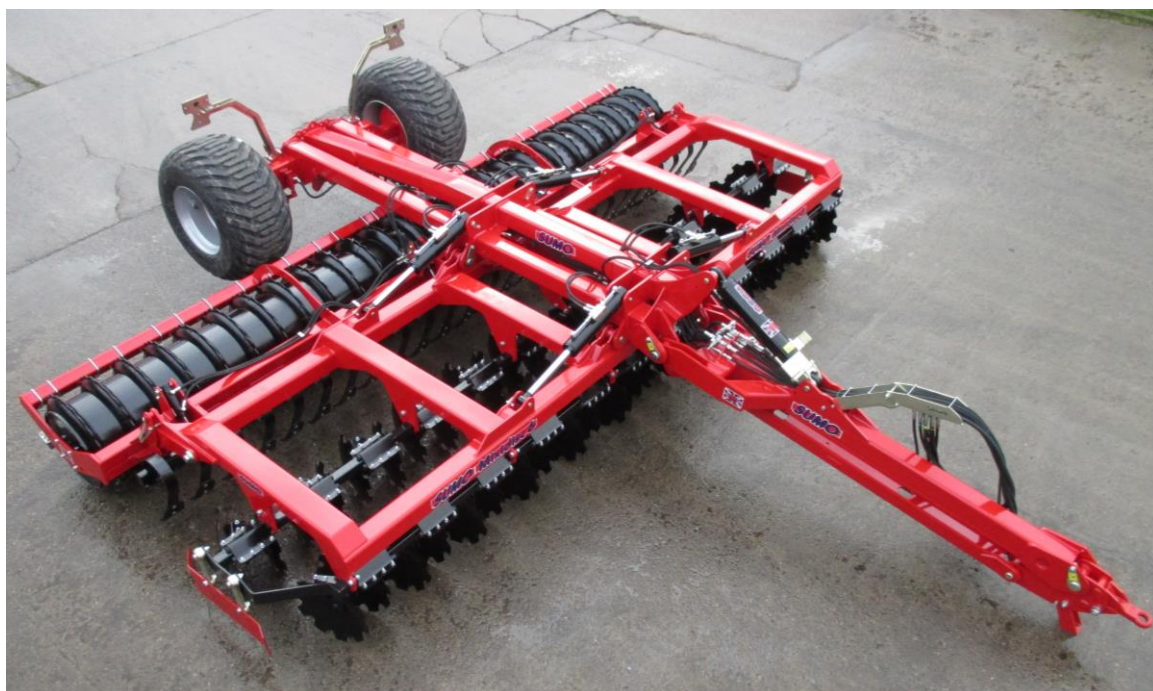


SUMO sumo1.com **Mixidisc**



Parts list 2015 and Operators Manual

SUMO
UK LIMITED
Agricultural Machinery Manufacturers

www.sumo1.com

Redgates
Melbourne
York
YO42 4RG
Tel. 01759 319900
Fax. 01759 319901

1.0 Registration

Please complete this page and send it back to us at,

Sumo UK Ltd.
Redgates
Melbourne
York
YO42 4RG
Tel. 01759 319900
Fax. 01759 319901

SUMO SERIAL No:
For your own records.
(Serial plate on side of headstock)



Trailed Mixidisc Registration Document

NAME:

ADDRESS:

Post Code

DATE:

SUMO SERIAL No.:
(Serial plate on side of headstock)

DEALERSHIP NAME AND BRANCH:

COMMENTS:



In order to obtain your free pair of Sumo overalls and baseball cap
please fill in this form and send back to us at:

Sumo UK Ltd
Redgates
Melbourne
York
YO42 4RG
Tel. 01759 319900
Fax. 01759 319901



SUMO SERIAL No:

Overall size:
Tick where
applicable

Small (38 chest)	
Medium (42 chest)	
Large (46 chest)	
Extra large (50 chest)	
XX Large (54 chest)	
XXX Large (58 chest)	

NAME:

ADDRESS:



2.0 Summary

The Sumo Trailed Mixidisc is a machine designed for high speed stubble cultivations to quickly incorporate and mulch large volumes of crop residues and create a micro tilth in the soil to encourage fast germination of volunteers and weed seeds in one pass.

The Trailed Mixidisc can also be used for seedbed preparation, levelling furrows with the hydraulically adjusted levelling paddles and with a low power requirement.

Firstly:

A double row of 500mm concave discs, mounted on independently suspended arms giving a shock-proof durable system with quality low maintenance triple sealed taper roller bearings. Double mounting gives unrivalled performance when working in adverse conditions.

Secondly:

A row of hydraulically adjustable levelling paddles allow a small amount of soil to be carried with the machine. These enable the machine to fill in and level furrows to create a seedbed. The paddles can be adjusted using the hydraulic cylinders on the move. They can be lifted out of work completely to allow trash to flow through when working on stubbles.

Finally:

The patented Multipacka is uniquely designed to fulfil a number of criteria, comprising, 609mm x 10mm tube mounted on heavy duty quality bearings fitted with notched cutting/ drive rings to keep turning in arduous conditions, giving a total diameter of 800mm. The ring shoulders feature a convex shape adjacent to the barrel, creating consolidation and cracking even on the top of the ridge. Further to this is the ability to unbolt every individual packer quadrant for replacement without having to use any heat or cutting equipment. All these features make a packer which presses and firms to a higher quality with a lower power requirement than any other packer available

Before using the Trailed Mixidisc it is absolutely necessary that you read this Operators manual and Safety Instructions attentively.

Specifications, descriptions and illustrations in this brochure are accurate, as known, at the time of publication but may be subject to change.

Contents

2.0 Summary	4
3.0 Safety	6
3.1 Qualification and Training	6
3.2 General safety	7
3.3 Special safety instructions.....	7
4.0 Operation and Adjustment	8
4.1 Operating.....	8
4.2 Adjustments	8
5.0 Maintenance	8
5.1 Spares	9
5.2 Winter storage.....	9
6.0 Parts and Assembly.....	10

3.0 Safety

This manual contains basic advice, which should be observed during setting-up, operation and maintenance. Therefore, this operating manual must be read by the personnel concerned prior to starting up and using the machine and be available at all times.

If safety instructions are not complied with, then this can lead to the risk of injury to yourself and others as well as damage to the environment or the machine. Non-compliance to the safety instructions can also lead to claims for damages becoming invalid.

3.1 Qualification and Training

- Reliable personnel may only perform any work on, or, with the machine. Statutory minimum age limits must be observed.
- Employ only trained or instructed staff; the individual responsibilities of the personnel concerning operation, setting up, maintenance and repair must be clearly established.
- Make sure that only authorized personnel work on or with the machine.
- Define the machine operators' responsibilities – also with regard to observing traffic regulations. The operator must have the authority to refuse any instructions issued by third parties, which contravene safety.
- Persons undergoing training or instruction or taking part in a general training course should not be allowed to work on or with the machine unless they are under the constant supervision of an experienced person.
- The use of spare parts, accessories and ancillary equipment not supplied and/or not approved by SUMO could have detrimental effects to the construction of the SUMO machine or on its functions and hence impair the active and/or passive driving and/or operational safety (accident prevention).
- SUMO shall not be responsible for any damage caused by the use of spare parts, accessories and ancillary equipment not supplied and/or approved by SUMO.
- Conversions of or modifications to the machine may only be carried out after consultation with SUMO.

3.2 General safety

- Warning signs and other notices on the machine provide important information for the safe operation. Observing them will serve your safety.
- Before starting work, make yourself familiar with all the equipment and controls as well as their functions.
- The user should wear close-fitting clothing.
- Check around the machine before moving off or starting up (watch out for children!). Make sure you have adequate all-round visibility.
- Always match your speed to the local conditions. Avoid sudden turning manoeuvres when driving uphill or downhill or when travelling across a slope.
- Observe the respective regulations when using public roads.
- Take into account the wide overhang and/or the sideways force acting on the machine when turning or negotiating curves.

3.3 Special safety instructions

- Take extreme care when hitching up or unhitching machine to/from the tractor.
- Never allow persons to stand between the tractor and the machine unless the tractor is secured against rolling away by means of parking brake and/or wheel chocks.
- During transport, secure the packer (using both pins) to prevent shock loading when encountering road undulations.
- It is forbidden to allow persons to ride on the machine at any time. A safe distance should be maintained from the machine by observers when in work.
- Never stand or work beneath suspended loads.
- Ensure all persons are stood clear of the machine when folding or unfolding.
- When making adjustments to the machines care should be taken not to trap any body parts in moving or pivoting parts.
- When making adjustments to the machine the tractor engine should be switched off to prevent the hydraulics from operating.

4.0 Operation and Adjustment

4.1 Operating

Optimum mixing of trash and levelling will occur when the machine is running horizontal (Parallel with the ground) to achieve this the depth should be set using the pins on the packers (ensuring all four pins are in the same corresponding holes) and then level the machine up by adding or removing slices from the drawbar ram.

The forward speed should be governed by the local conditions as well as the finish produced by the Mixidisc.

4.2 Adjustments

Working depth adjustment should be carried out by moving the pins on the packer at the rear of the machine, moving the pin into a higher hole will increase the working depth of the machine, this should be adjusted in conjunction with the slices on the drawbar ram, failure to adjust these to ensure the machine is running level will result in once set of discs running deeper than the other which may not leave a level finish as desired. The weight must be taken off the packers arms before adjusting by extending the drawbar ram so the machine is sat on its wheels.

The working depth of the levelling paddles can be adjusted on the move by the hydraulic cylinders. These should be set to carry a small amount of soil which should be rolling in front of the paddles, running the paddles too deep will result in bulldozing which will increase power requirement and will not leave a desirable finish whilst exerting excess stress on components of the machine.

If the paddles on each wing become out of sync (one working deeper than the other), retract the cylinders fully, holding the flow on for a couple of seconds after they have returned to the lower end of their stroke, then fully extend them doing the same process, this will equalise the paddles on both wings.

5.0 Maintenance

The packer bearings should be greased with one pump of grease, once a week and after the machine has been washed off to force out any water that may have ingressed.

The disc bearings should be greased until old grease is forced out once a week when in normal use and after washing the machine off to expel any water in the bearing.

The wheel studs should be checked that they are tight after the first 10 hours of operation and then again at regular weekly intervals. The correct torque setting for the wheel nuts is 450Nm.

Tyres should be operated at 20psi and checked regularly.

The condition of the packer scrapers should also be observed in order to prevent soil building up on the packer. Ensure the scrapers are adjusted up tight, but not touching the packer though as this will increase rolling resistance and cause premature wear of the packer and scrapers.

Grease points requiring one pump every 50 hours are located on all rams, wing hinge bushes, drawbar hinge bushes front and back on both top and bottom elements. Exposed chrome ram rods should also be greased weekly to prevent these valuable parts from rusting and causing costly oil leaks.

5.1 Spares

When ordering replacement parts please have your serial number, part numbers (listed in Section 6.0) and quantities at hand.

5.2 Winter storage

When machines are to be parked up for the winter period, correct storage techniques are an important part of protecting the machine to ensuring a hassle free season. When the machine has finished work it should be cleaned down and washed off to remove all traces of soil.

Following washing off, the packer bearings should be greased with one pump and the disc bearings should be greased until old grease is forced out. Other grease points are located on all rams, wing hinge bushes and drawbar hinge bushes, and these should receive two or three pumps of grease.

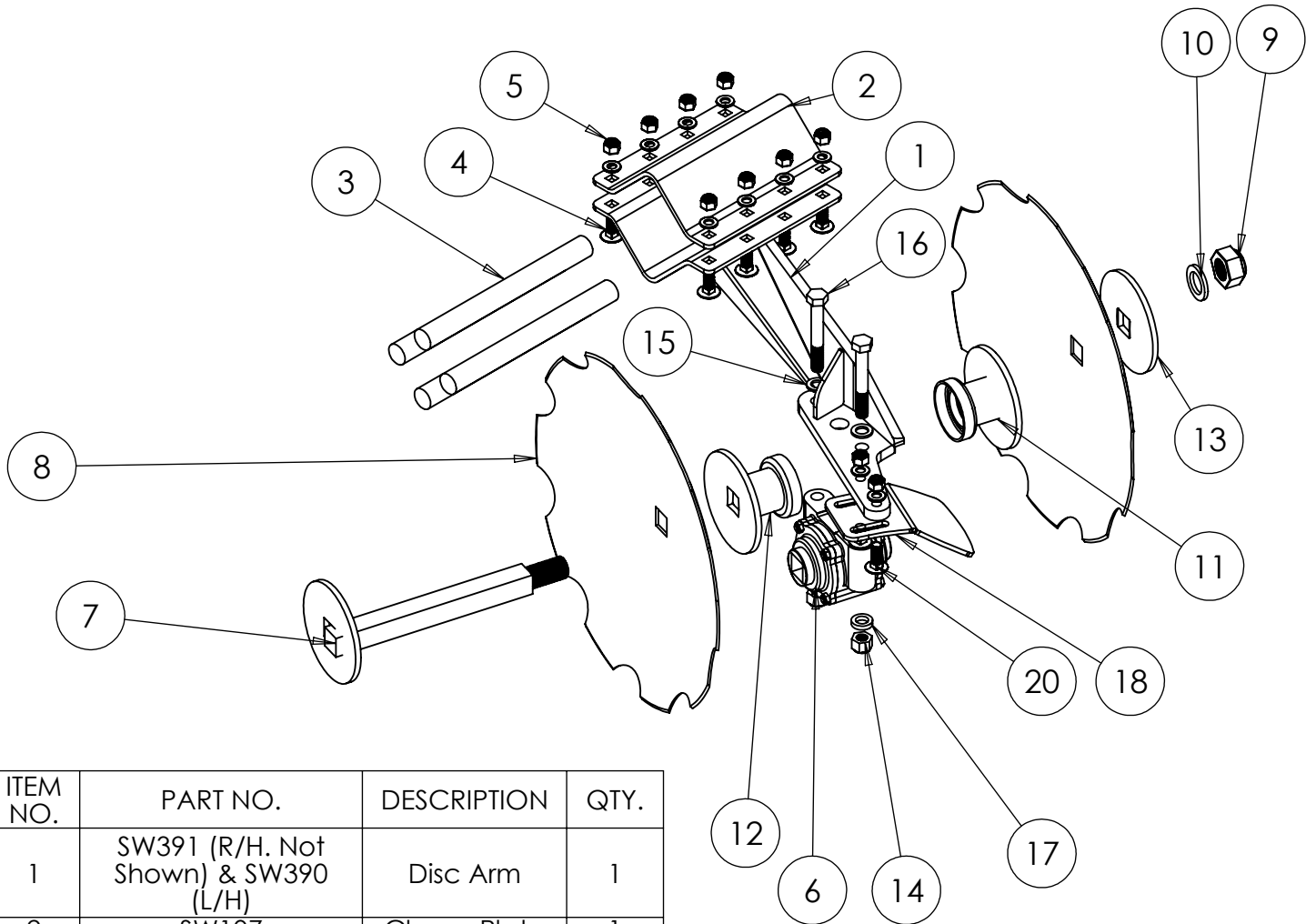
Wheel studs should be checked that they are tight. Tyre pressures should also be checked to ensure there is not a slow puncture before entering storage.

When the machine is parked up a note should be made of what wearing parts require replacing ready for the next seasons work. The wearing parts can then be ordered in time ready for the next season's work in good time to avoid delays when the machine is required earlier than expected!

6.0 Parts and Assembly

6.1 Twin Disc Assembly	...11
6.2 Packer Depth Control	...12
6.3 Packer, Scraper and Bearing Assembly	...13
6.4 Drawbar Hitch	...14
6.5 Axle Wheels and Brakes	...15
6.6 Drawbar Hinge	...16
6.7 Light Assembly	...17
6.8 Optional Rear Drawbar	...18
6.9 Active Soil Retainers	...19
6.10 Drawbar Hydraulics	...20
6.11 Wing Hydraulics	...21
6.12 Wing Hydraulics continued	...22
6.13 Wheel Eradicator	...23
6.14 Bellotta Tine Assembly	...24
6.15 Bellotta Tine Assembly continued	...25
6.16 Paddle Assembly	...26
6.17 Paddles	...27
6.18 Stickers	...28

6.1 Twin Disc Unit



ITEM NO.	PART NO.	DESCRIPTION	QTY.
1	SW391 (R/H. Not Shown) & SW390 (L/H)	Disc Arm	1
2	SW107	Clamp Plate	1
3	SWB103	Rubber	4
4	SWM1235CHSQ	M12 x 35 Cup Head Square	10
5	SWM12005	M12 Flanged Nut	10
6	SWB102	Bearing	1
7	SW101	Twin Disc Axle	1
8	SWB101	20" Scalloped Disc	2
9	SWM3004	M30 Nylock Nut	1
10	SWM30001	M30 Washer	1
11	SW103	Dust Cover and Convexed Disc	1
12	SW102	Dust Cover and Concaved Disc	1
13	SW108	Disc Axle Washer	1
14	SWM16004	M16 Nylock Nut	2
15	SWM16001	M16 Washer	2
16	SWM16120	M16 x 120 Bolt	2
17	SW1153	M16 Washer (Thick)	2
18	SW646	Disc Scraper	1
19	SWB184	18" Scalloped Disc (end of disc row, Not Shown)	1
20	SWM1240CHSQ	M12 x 40 Cup Head Square	2

DO NOT SCALE DRAWING

MACHINE/COMPONENT:

Sumo Mixidisc

TITLE:

Twin Disc Unit Assembly



Drawings and design information found herein remain the sole property of Sumo UK Ltd. Reproductions may only be made with the permission of the owner.

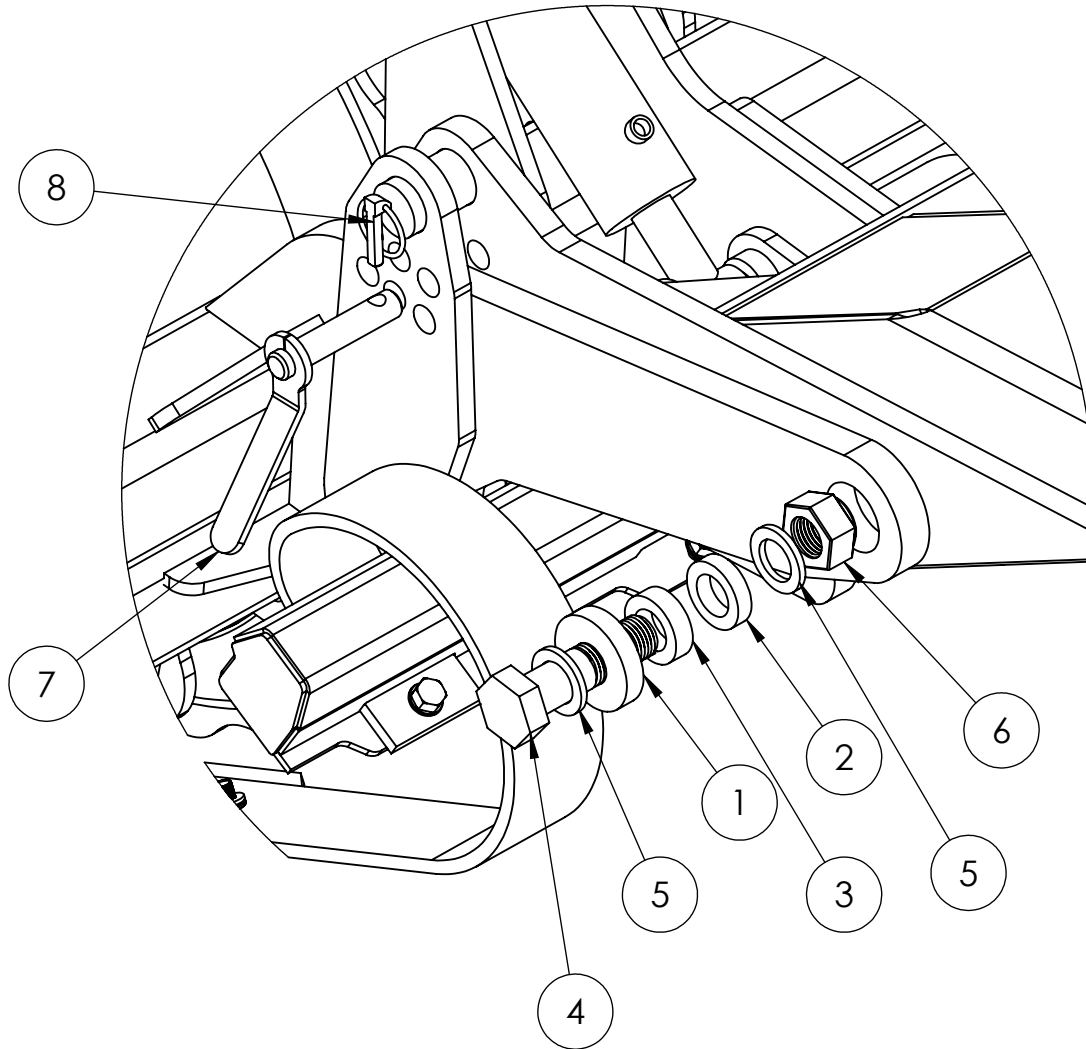
SCALE 1:20

REVISION:

DATE: 09/06/14

INITIAL: TW

6.2 Packer Depth Control



ITEM NO.	PART NUMBER	DESCRIPTION	QTY.
1	SW129	15mm Washer packer	4
2	SW723	12mm Small Spacer	4
3	SWS332	15mm Spacer	4
4	SWM30110	M30x110mm Bolt	4
5	SWM30001	M30 Washer	8
6	SWM3004	M30 NYloc nut	4
7	SWP20x92H	Packer Depth Pin	4
8	SWB105	Lynch Pin	4

DO NOT SCALE DRAWING

MACHINE/COMPONENT:

Trailed Mixidisc

TITLE:

Packer Depth Control



Drawings and design information found herein remain the sole property of Sumo UK Ltd. Reproductions may only be made with the permission of the owner.

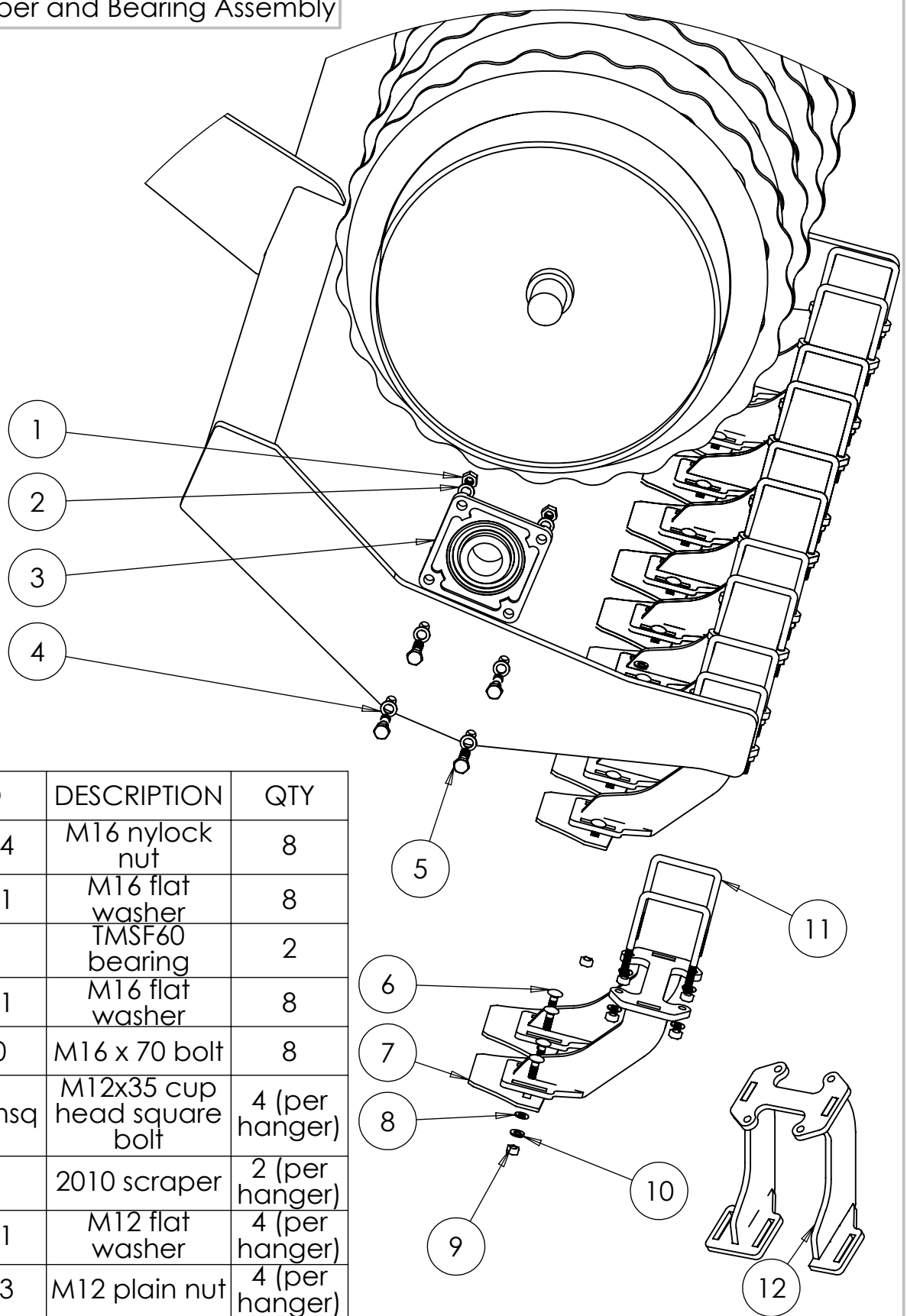
SCALE: 1:200

REVISION:

DATE: 13/02/2015

INITIAL: JF

6.3 Packer, Scraper and Bearing Assembly



ITEM NO	PART NO	DESCRIPTION	QTY
1	SWM16004	M16 nylock nut	8
2	SWM16001	M16 flat washer	8
3	SWB104	TMSF60 bearing	2
4	SWM16001	M16 flat washer	8
5	SWM1670	M16 x 70 bolt	8
6	SWM1235chsqa	M12x35 cup head square bolt	4 (per hanger)
7	SW651	2010 scraper	2 (per hanger)
8	SWM12001	M12 flat washer	4 (per hanger)
9	SWM12003	M12 plain nut	4 (per hanger)
10	SWM12002	M12 spring washer	4 (per hanger)
11	SWM12100UB	M12 x 100 U-Bolt	2 (per hanger)
12	SW962	2010 scraper mount (L/H)	1
13	SW963	2010 Scraper mount (R/H) Not Shown	1
14	SW664	Middle Small Scraper (not shown)	2

DO NOT SCALE DRAWING

MACHINE/COMPONENT:

Trailed Mixidisc

TITLE:

Packer, Scraper and Bearing Assembly



Drawings and design information found herein remain the sole property of Sumo UK Ltd. Reproductions may only be made with the permission of the owner.

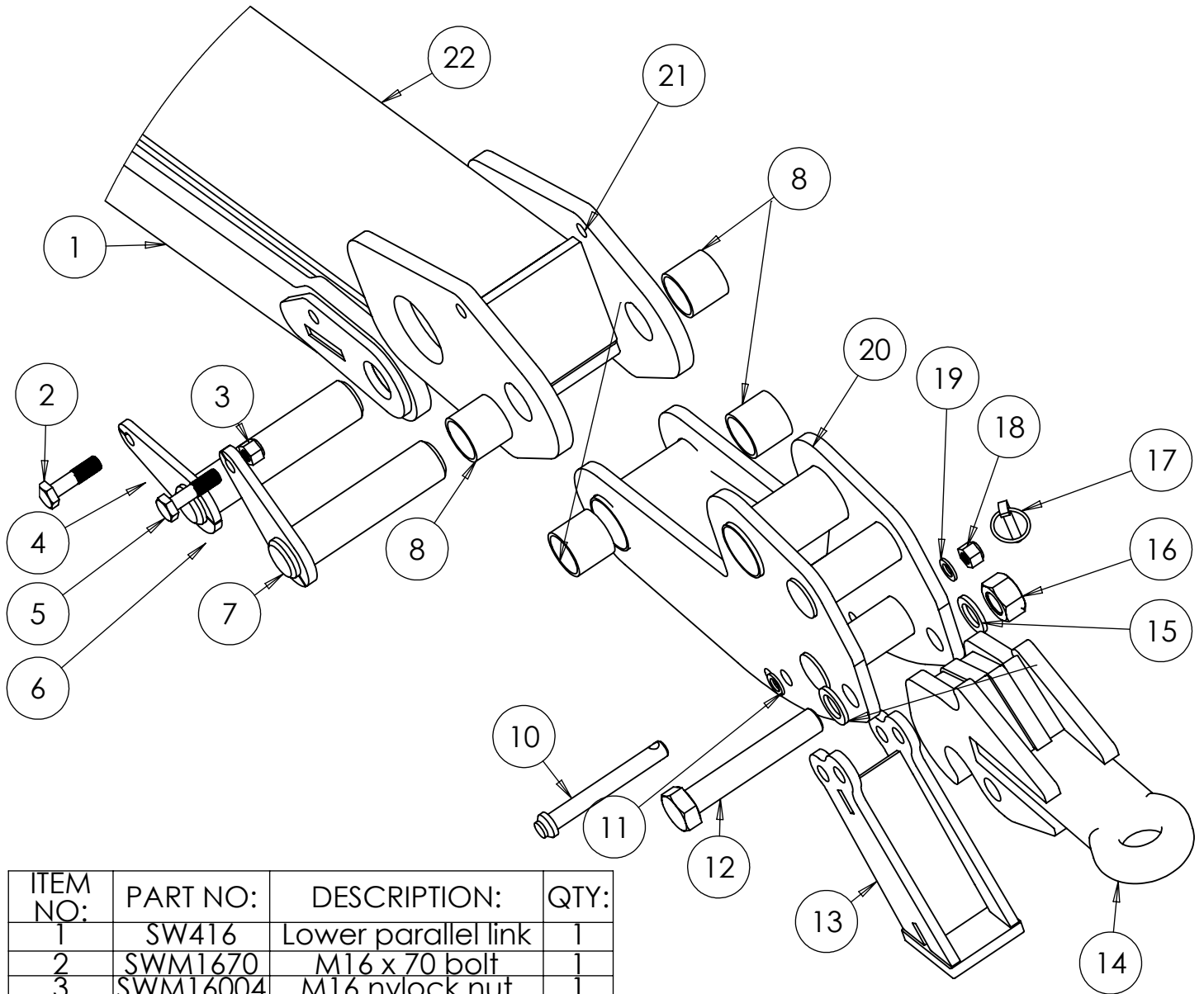
SCALE:1:50

REVISION:

DATE: 13/02/2015

INITIAL: JF

6.4 Drawbar Hitch



ITEM NO:	PART NO:	DESCRIPTION:	QTY:
1	SW416	Lower parallel link	1
2	SWM1670	M16 x 70 bolt	1
3	SWM16004	M16 nylock nut	1
4	SW139	50 X 224 tabbed pin	1
5	SWM1660	M16 X 60 bolt	1
6	SW139	50 X 224 tabbed pin	1
7	SW138	50 X 180 tabbed pin	1
8	SWB108	50 X 58 X 50 PB1 bush	4
9	SWM16160	M16 X 160 bolt	1
10	SW137	20MM straight stand pin	1
11	SWM16001	M16 flat washer	2
12	SWM30180	M30 X 180 bolt	1
13	SW136	stand	1
14	SW135	Towing eye	1
15	SWM30001	M30 flat washer	2
16	SWM30004	M30 nylock nut	1
17	SWB105	Lynch pin	1
18	SWM16004	M16 nylock nut	1
19	SWM16001	M16 flat washer	1
20	SW134	Drawbar hitch unit	1
21	SWM16004	M16 nylock nut	3
22	SW417	Drawbar box	1

DO NOT SCALE DRAWING

MACHINE/COMPONENT:

Trailed Mixidisc

TITLE:

Drawbar Hitch



Drawings and design information found herein remain the sole property of Sumo UK Ltd. Reproductions may only be made with the permission of the owner.

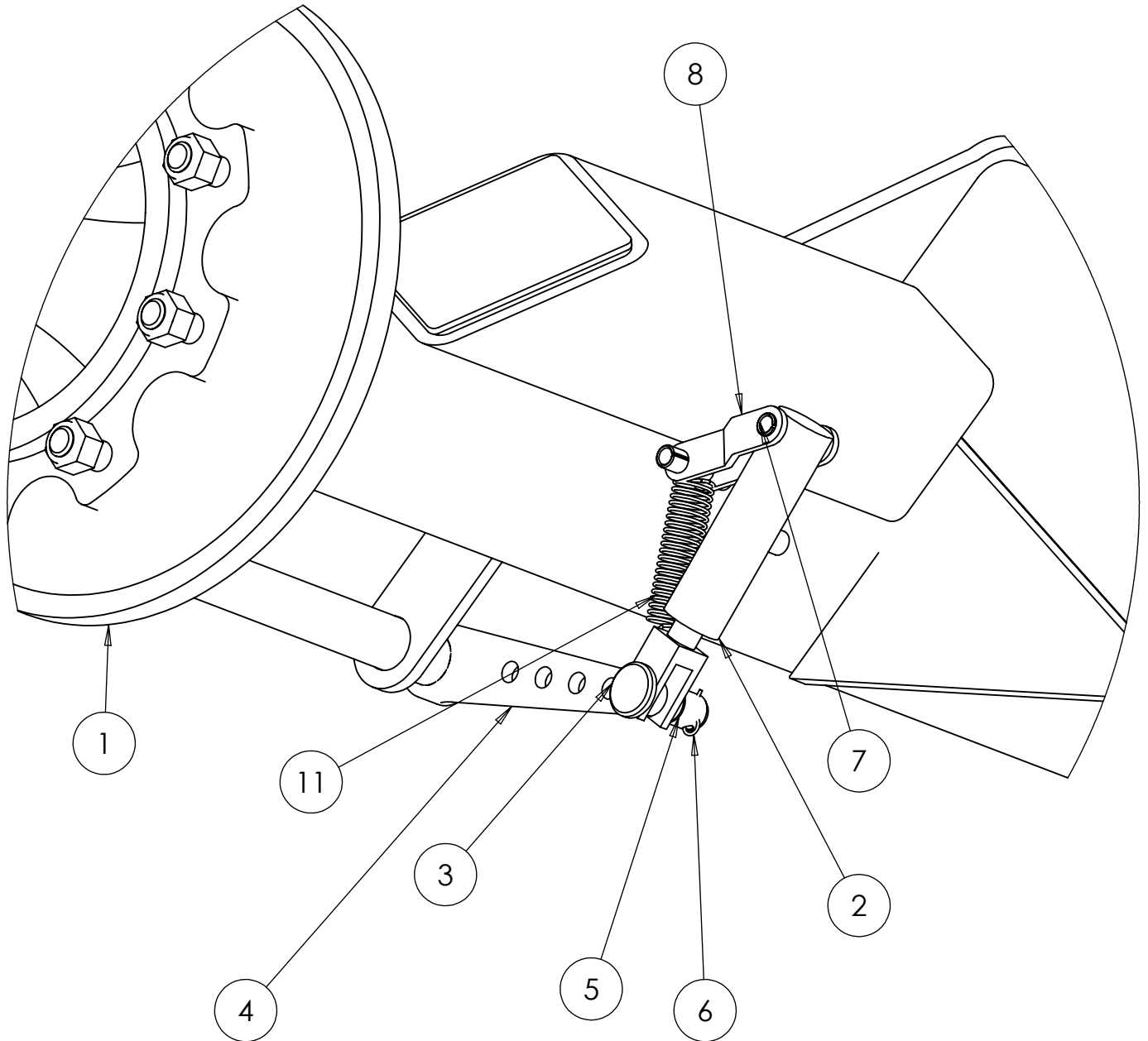
SCALE:1:200

REVISION:

DATE: 13/02/2015

INITIAL: JF

6.5 Axle, wheels and Brakes



ITEM:	PART NO:	DESCRIPTION:	QTY:
1	SWB133	10 Stud braked hub	2
2	SWB134	Brake ram	2
3	SWB188	12mm Clevis pin	2
4	SWB189	Brake arm	2
5	SWM12001	M12 Flat washer	2
6	SWB190	Small R-clip	2
7	SWB191	14 x 60 Roll pin	4
8	SWB192	Ram mount/adjuster	2
9	SWB193	Circlip	2
10	SWB194	Ram mount base	2
11	SWB195	Spring and clip	2

DO NOT SCALE DRAWING

MACHINE/COMPONENT:

Trailed Mixidisc

TITLE:

Axle, wheels and Brakes

SUMO

Drawings and design information found herein remain the sole property of Sumo UK Ltd. Reproductions may only be made with the permission of the owner.

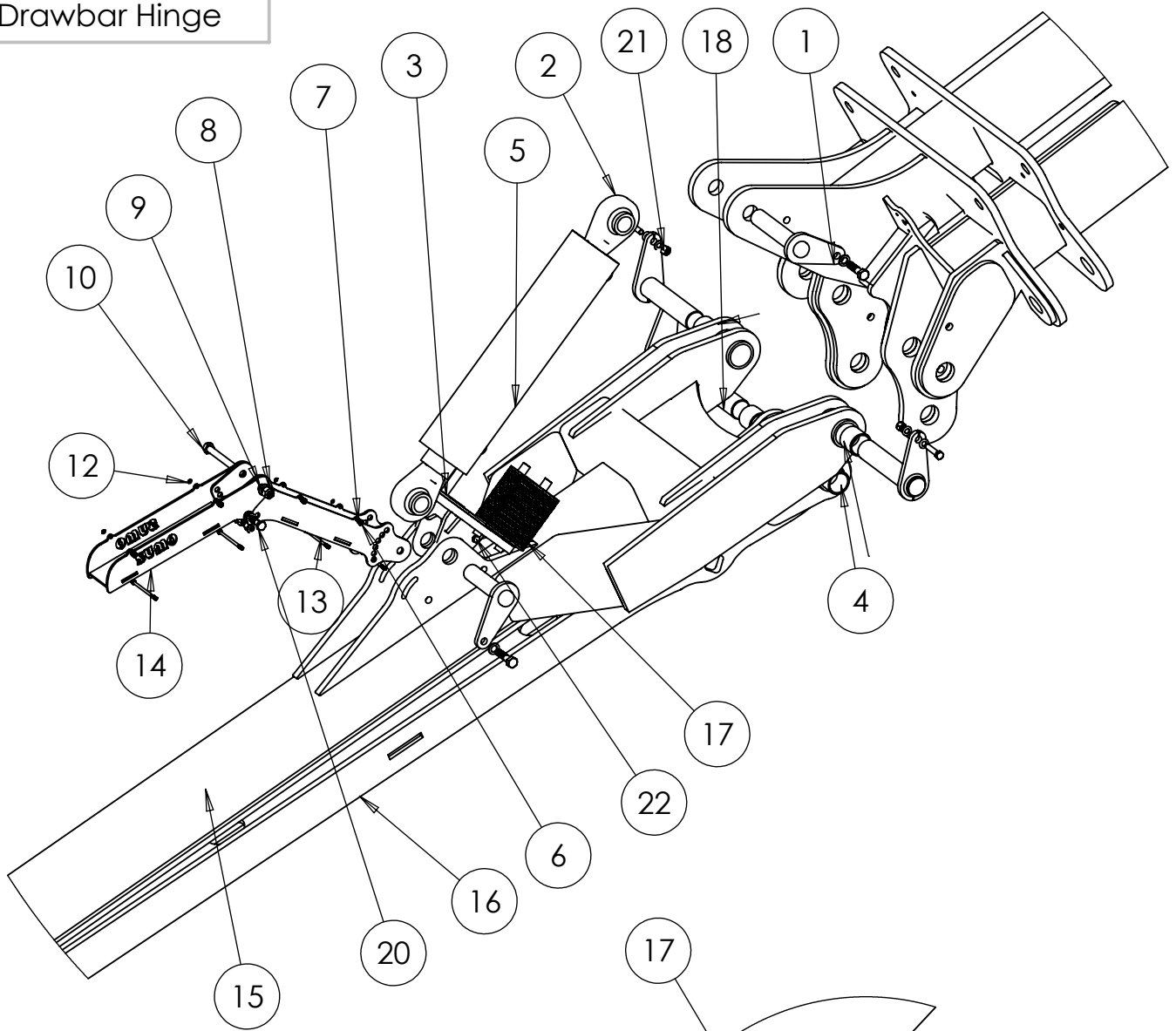
SCALE:1:100

REVISION:

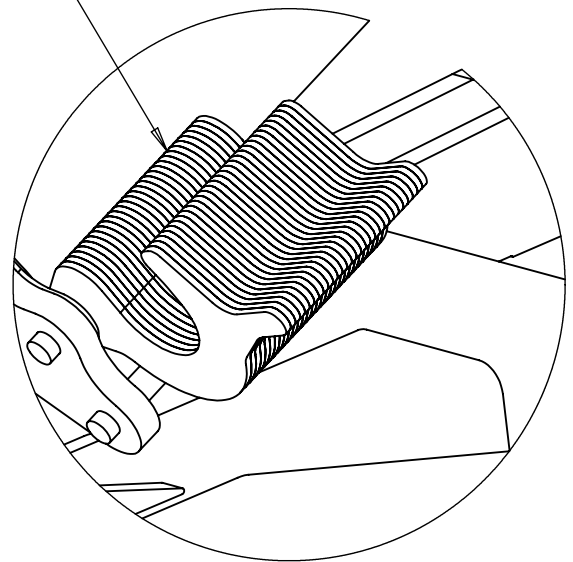
DATE: 29/05/2013

INITIAL: MH

6.6 Drawbar Hinge



pipe holder top section



ITEM:	PART NO:	DESCRIPTION:	QTY:
1	SW142	40 X 210 Tabbed pin	1
2	SWH293	780.120 Ram	1
3	SW536	Drawbar ram stop frame	1
4	SWB108	50 X 58 X 50 PB1 bush	6
5	SWH293	780.120 Ram	1
6	SWM6004	M6 Nylock nut	4
7	SWM6001	M6 Flat washer	8
8	SWM16004	M16 Nylock nut	10
9	SWM16001	M16 Flat washer	20
10	SWM16130	M16 x 130mm bolt	1
11	SWM6130	M6 x 130mm bolt	4
12	SWM6001	M6 flat washer	8
13	SW380	pipe holder lower section	1
14	SW379	Pipe Holder top section	1
15	SW417	Drawbar	1
16	SW416	Lower link	1
17	SW144	Ram slice	30
18	SW141	50 X 390 Tabbed pin	2
19	SW139	50 X 225 Tabbed pin	2
20	SWM1250	M12 X 50 bolt	2
21	SWM1004	M10 Nylock nut	1
22	SWM10140	M10 X 140	1

DO NOT SCALE DRAWING

MACHINE/COMPONENT:

Trailed Mixidisc

TITLE:

Drawbar Hinge



Drawings and design information found herein remain the sole property of Sumo UK Ltd. Reproductions may only be made with the permission of the owner.

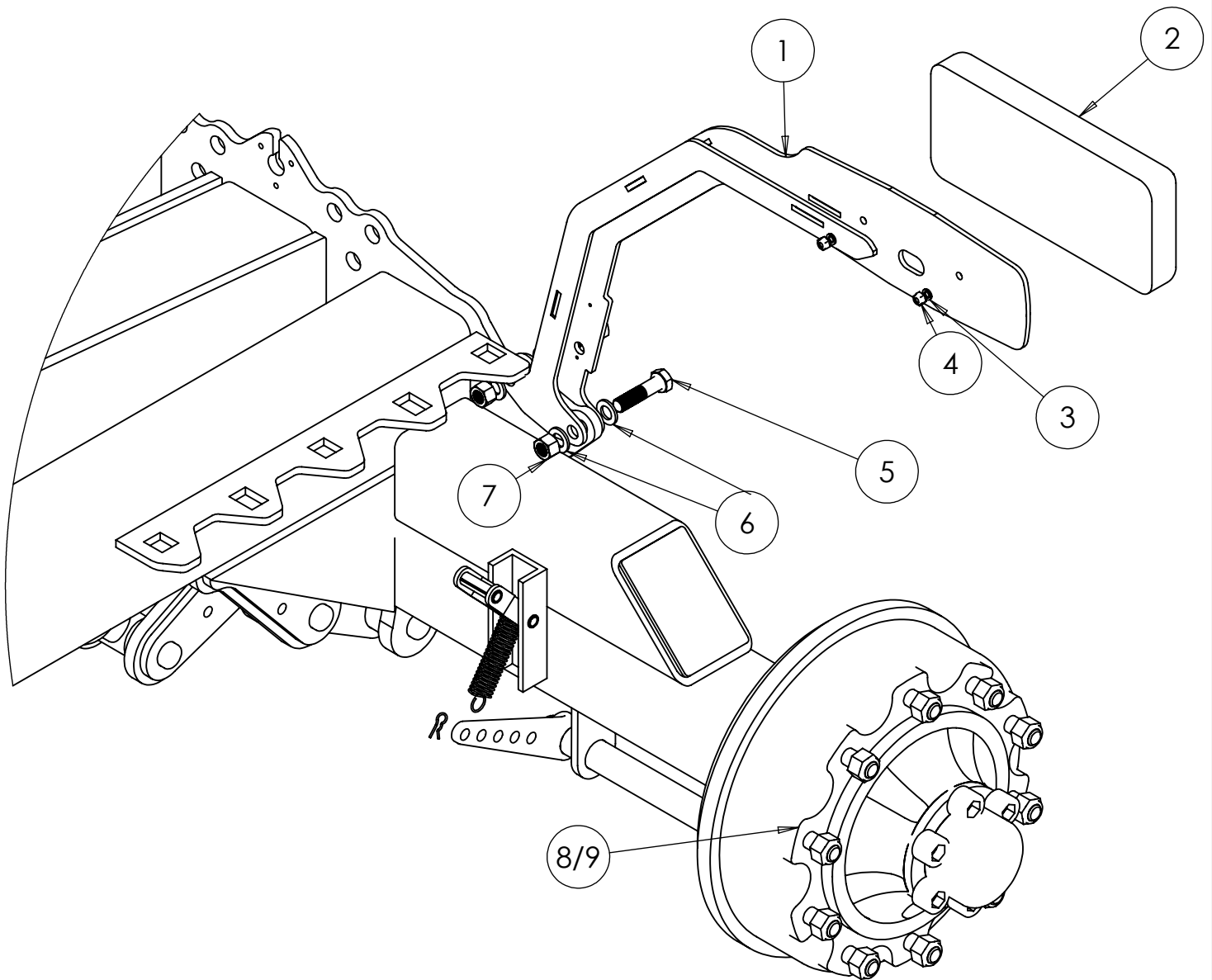
SCALE:1:25

REVISION:

DATE:12/02/2015


INITIAL: JF

6.7 Light Assembly

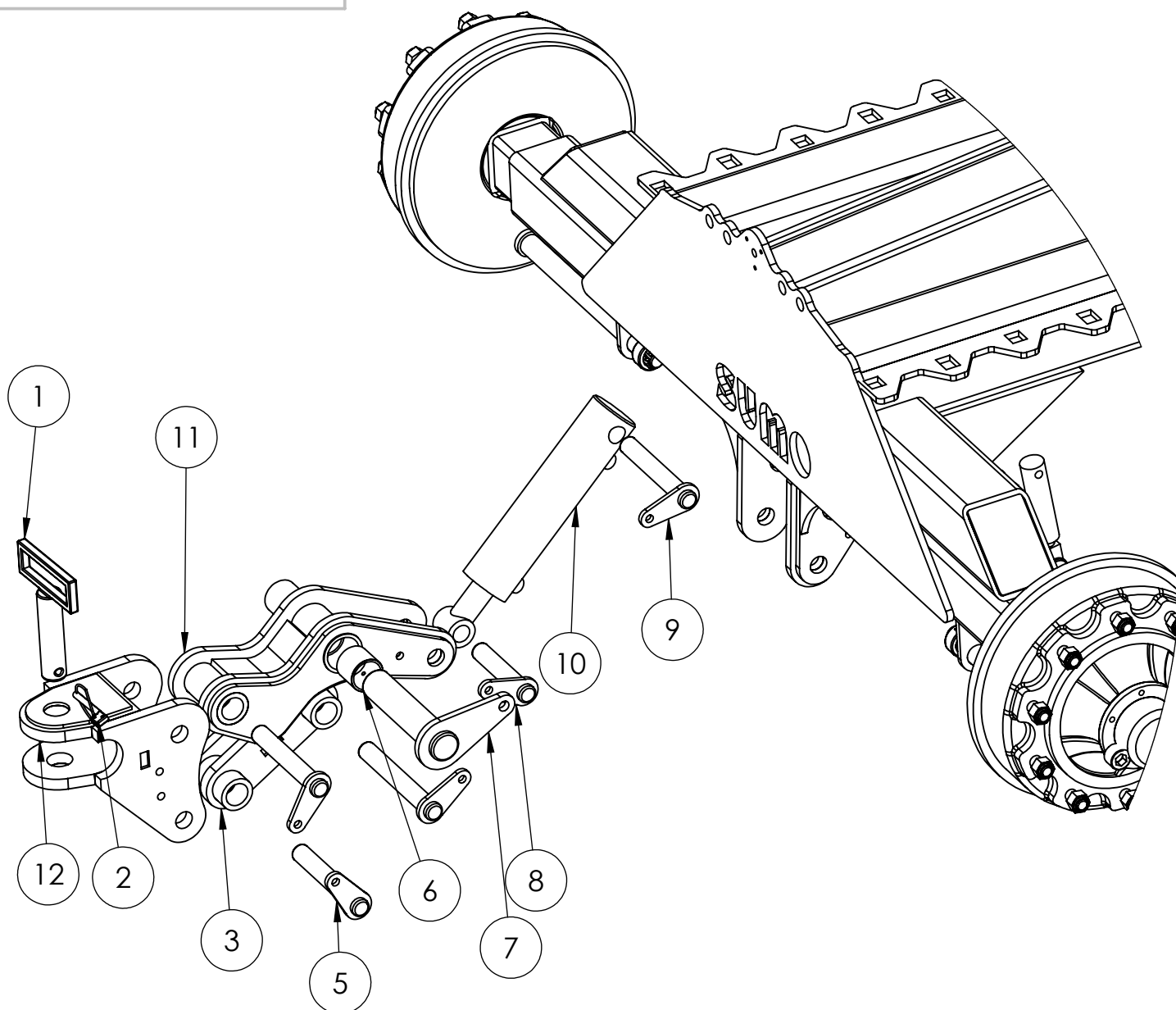


General Table

ITEM:	PART NO:	DESCRIPTION:	QTY:
1	SW1275	Light Bracket L/H	1
	SW1276	Light Bracket R/H (not shown)	1
2	SWB715	LED Light L/H	1
		LED Light R/H	1
3	SWM8001	M8 Flat Washer	4
4	SWM8003	M8 Plain Nut	4
5	SWM1660	M16 x 60mm Bolt	4
6	SWM16001	M16 Flat Washer	4
7	SWM16004	M16 Nylock	4
8	SWB418	Large Bearing (Not shown)	2
9	SWB419	Small Bearing (Not Shown)	2

DO NOT SCALE DRAWING	
MACHINE/COMPONENT:	Trailed Mixidisc
TITLE:	Light Assembly
	
<small>Drawings and design information found herein remain the sole property of Sumo UK Ltd. Reproductions may only be made with the permission of the owner.</small>	
SCALE:1:25	REVISION:
DATE: 12/02/2015	INITIAL: JF

6.8 Optional Rear Drawbar



Item No	Part No	Description	Qty
1	SW1258	40mm Drawbar Pin	1
2	SW576	Safety Lynch Pin	1
3	SW1257	Pivot Arm	1
4	SWB176	30mmx40mmx45mm Oilite Bush	6
5	SW186	214mm x 30mm x Tabbed Pin	3
6	SWB142	50mmx50mmx58mm Oilite Bush	2
7	SW139	225mm x 50mm Tabbed Pin	1
8	SW185	145mm x 30mm Tabbed Pin	1
9	SW186	190mm x 30mm Tabbed Pin	1
10	SWH125	705/2 Ram	1
11	SW717	Pivot Arm	1
12	SW749	Rear Drawbar Jaws	1

DO NOT SCALE DRAWING

MACHINE/COMPONENT:

Trailed Mixidisc

TITLE:

Rear Drawbar



Drawings and design information found herein remain the sole property of Sumo UK Ltd. Reproductions may only be made with the permission of the owner.

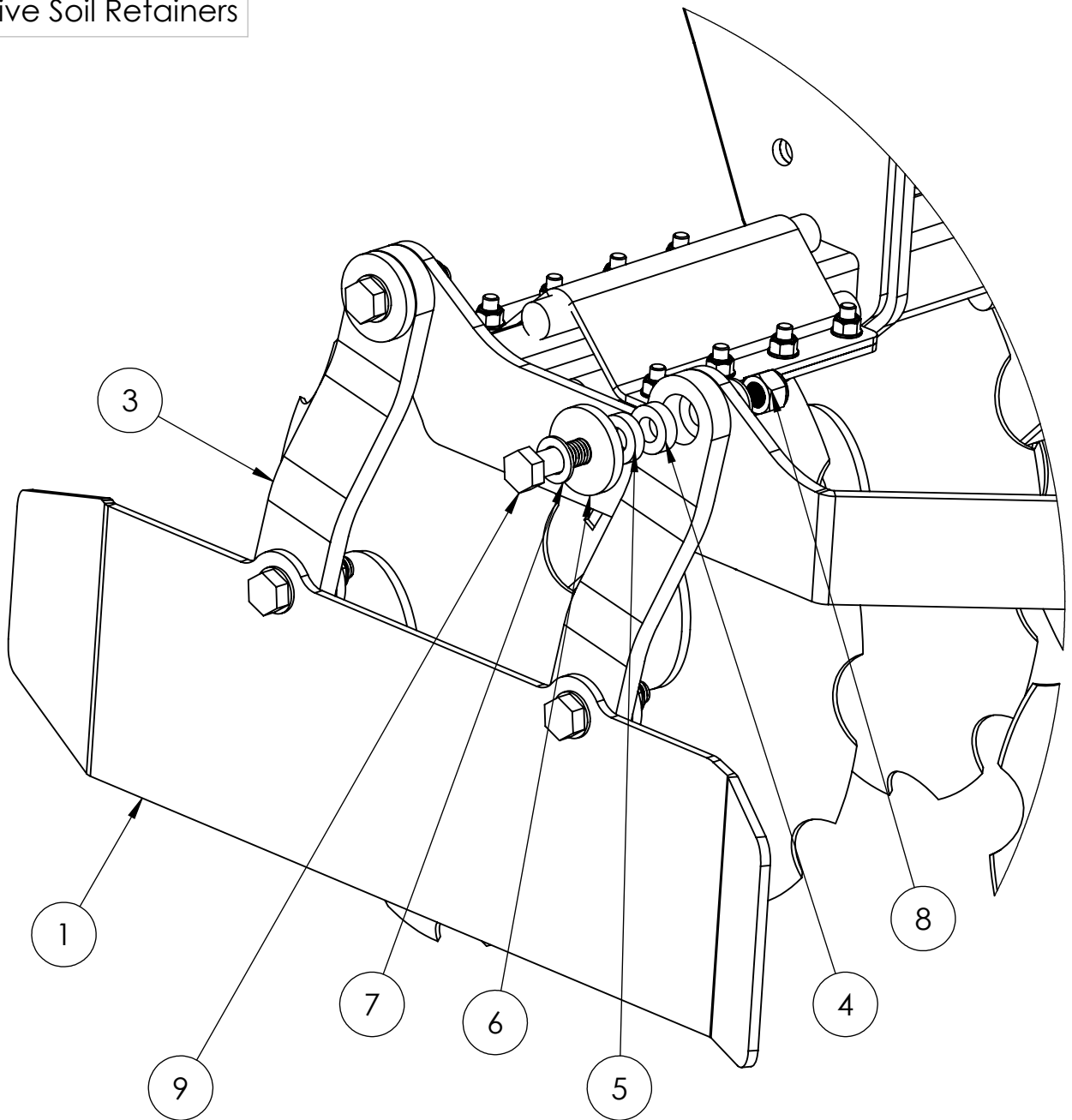
SCALE:1:100

REVISION:

DATE:12/02/2015

INITIAL: JF

6.9 Active Soil Retainers



ITEM NO.	PART NUMBER	DESCRIPTION	QTY.
1	SW1692	RH Soil retainer	1
2	SW1693	LH Soil retainer	1
3	SW124	Soil Retainer Crank Arm	8
4	SW125	10mm Spacer	8
5	SW126	12mm Spacer	8
6	SW123	10mm SR washer	8
7	SWM20001	M20 Flat Washer	16
8	SWM20004	M20 Nyloc Nut	8
9	SWM2090	M20x90 Bolt	8

DO NOT SCALE DRAWING

MACHINE/COMPONENT:

Trailed Mixidisc

TITLE:

Active Soil Retainers



Drawings and design information found herein remain the sole property of Sumo UK Ltd. Reproductions may only be made with the permission of the owner.

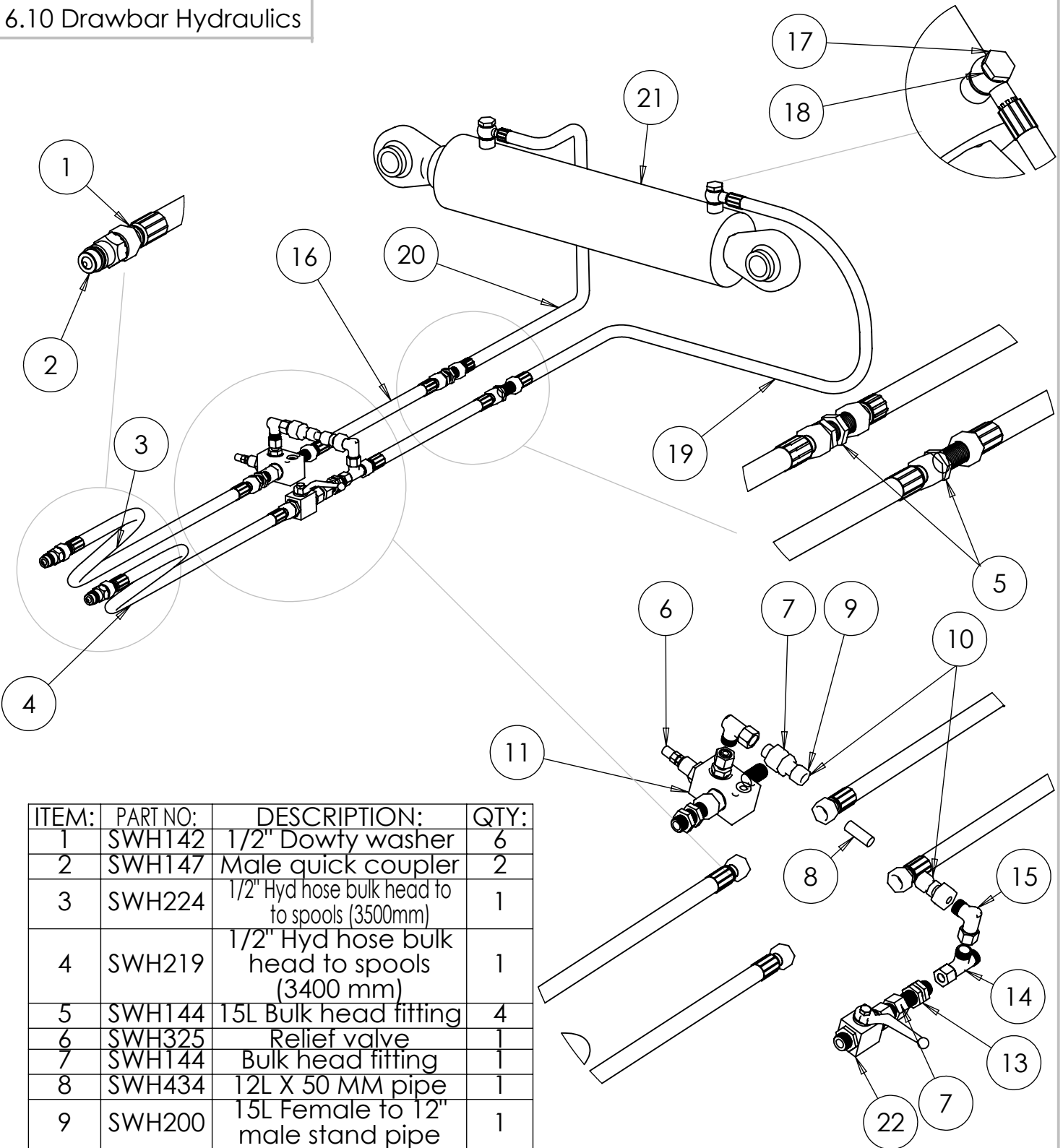
SCALE: 1:200

REVISION:

DATE: 12/02/2015

INITIAL: JF

6.10 Drawbar Hydraulics



ITEM:	PART NO:	DESCRIPTION:	QTY:
1	SWHT42	1/2" Dowty washer	6
2	SWHT47	Male quick coupler	2
3	SWH224	1/2" Hyd hose bulk head to to spools (3500mm)	1
4	SWH219	1/2" Hyd hose bulk head to spools (3400 mm)	1
5	SWHT44	15L Bulk head fitting	4
6	SWH325	Relief valve	1
7	SWHT44	Bulk head fitting	1
8	SWH434	12L X 50 MM pipe	1
9	SWH200	15L Female to 12" male stand pipe	1
10	SWHT44	12L Nut	1
11	SWHT45	15L tap	1
12	SWHT171	15L female to female fitting	1
13	SWHT158	15L bulk head Fitting	4
14	SWHT167	15L Tree branch	1
15	SWH265	12L Compact 90	1
16	SWH225	1/2" Hyd hose bulk head to bulk head	2
17	SWHT143	1/2" Banjo bolt	2
18	SWHT142	1/2" Dowty washer	6
19	SWH227	1/2" Hyd hose top ram to bulk head	1
20	SWH226	1/2" Hyd hose bottom ram to bulk head	1
21	SWH293	780.120 Ram	1
22	SWHT45	Ball valve tap	1

DO NOT SCALE DRAWING

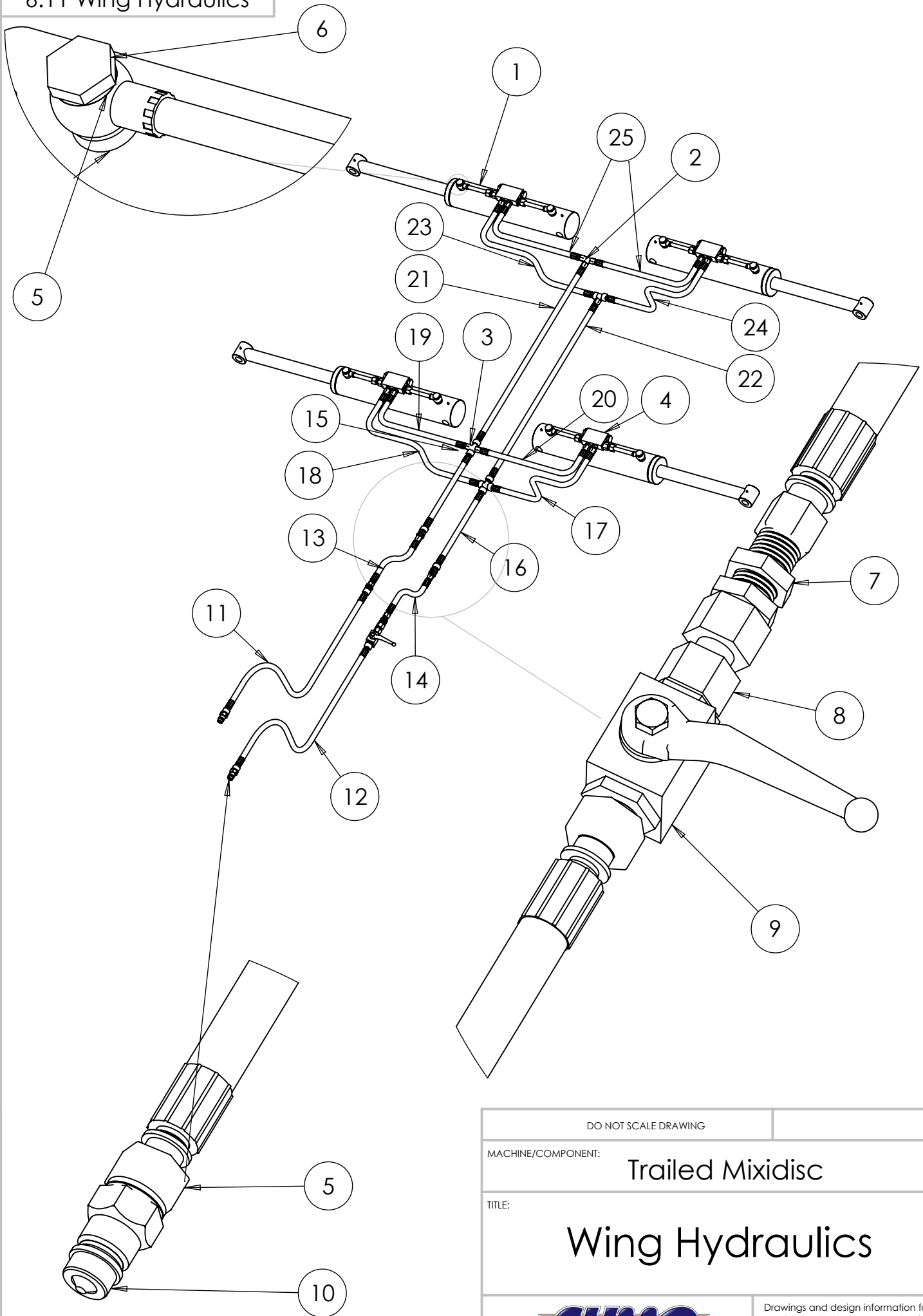
MACHINE/COMPONENT: **Trailed Mixidisc**


TITLE: **Drawbar Hydraulics**



Drawings and design information found herein remain the sole property of Sumo UK Ltd. Reproductions may only be made with the permission of the owner.

6.11 Wing Hydraulics



DO NOT SCALE DRAWING	
MACHINE/COMPONENT:	Trailed Mixdisc
TITLE:	Wing Hydraulics
	
<small>Drawings and design information found herein remain the sole property of Sumo UK Ltd. Reproductions may only be made with the permission of the owner.</small>	
SCALE:1:50	REVISION:
DATE:12/02/2015	INITIAL: JF

6.12 Wing Hydraulics Continued

ITEM:	PART NO:	DESCRIPTION:	QTY:
1	SWH132	706/4 ram	4
2	SWH167	15L tee branch	1
3	SWH199	15L cross	1
4	SWH154	pilot operated check valve	4
5	SWH142	1/2" dowty washer	18
6	SWH143	1/2" banjo bolt	8
7	SWH144	15L bulk head fitting	4
8	SWH171	15L female to female fitting	1
9	SWH205	12L tap	1
10	SWH147	male quick coupler	2
11	SWH437	12L female to 1/2"male 4000mm	1
12	SWH438	12L female to 1/2" male 3910mm	1
13	SWH439	12L female to female 510mm	1
14	SWH440	12L female to female 570mm	1
15	SWH441	12L female to female 690mm	1
16	SWH442	12L female to female 610mm	1
17	SWH443	12Lfemale to female 880mm	1
18	SWH443	12L female to female	1
19	SWH444	12L female to female 800mm	1
20	SWH444	12L female to female 800mm	1
21	SWH445	12L female to female 1340mm	1
22	SWH446	12L female to female 1300mm	1
23	SWH447	12L female to female 725mm	2
24	SWH448	12L female to female 690mm	2

DO NOT SCALE DRAWING

MACHINE/COMPONENT:

Trailed Mixidisc

TITLE:

Wing Hydraulics (Continued)



Drawings and design information found herein remain the sole property of Sumo UK Ltd. Reproductions may only be made with the permission of the owner.

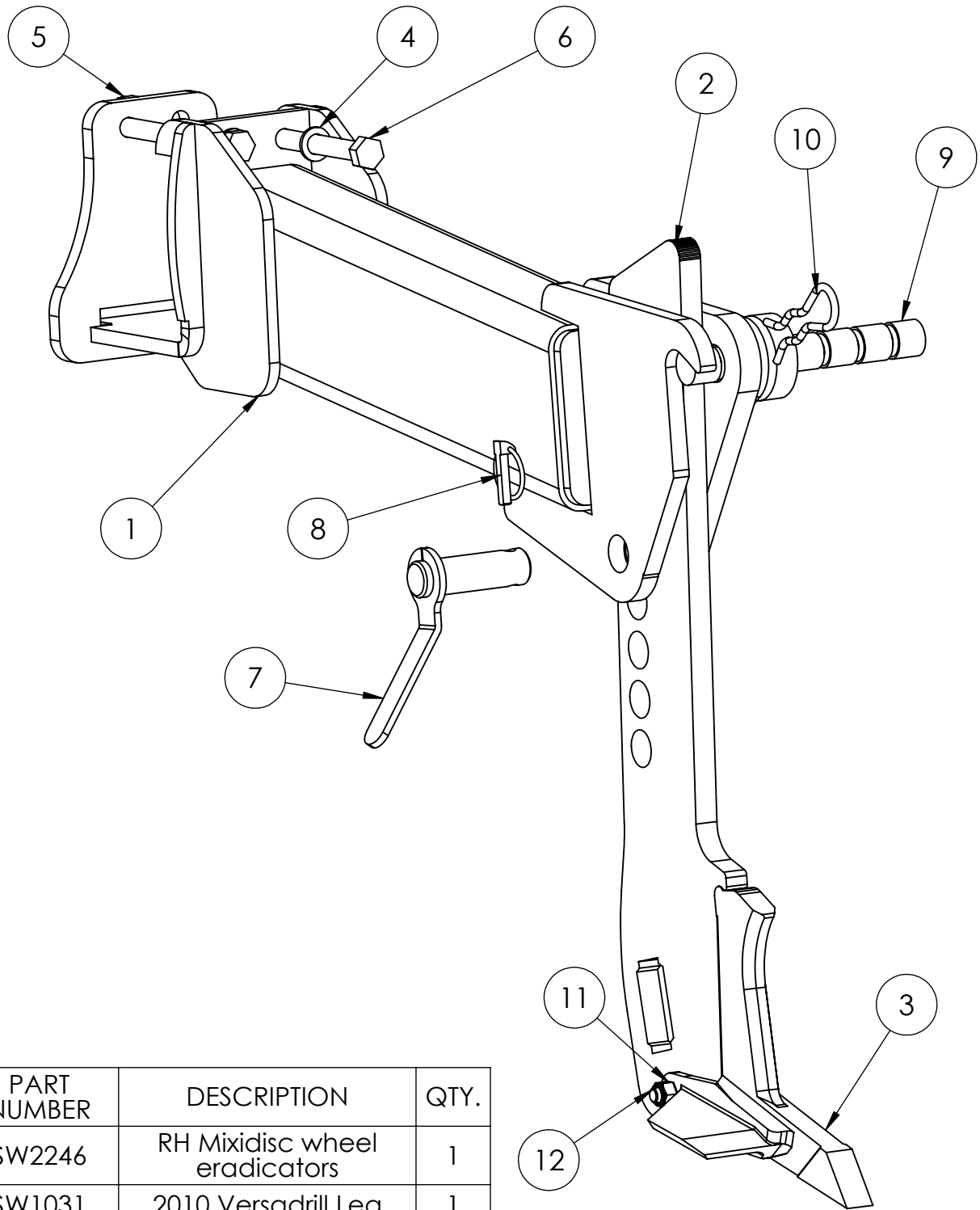
SCALE:1:1

REVISION:

DATE: 12/02/2015

INITIAL: JF

6.13 Wheel eradicator



ITEM NO.	PART NUMBER	DESCRIPTION	QTY.
1	SW2246	RH Mixidisc wheel eradicators	1
2	SW1031	2010 Versadrill Leg	1
3	SW1087	Low Disurbance GLS & Versa+ Point	1
4	SWM16001	M16 Washer (thick)	4
5	SWM16004	M16 Nyloc nut	2
6	SWM16220	M16 x 220mm bolt	2
7	SWP30x90H	Leg Depth Pin	1
8	SWB105	Lynch Pin	1
9	SWB160	Shearbar	1
10	SWB106	Shearbar R Clip	1
11	SWM12004	M12 Nyloc nut	1
12	SWM1255	M12 x 55mm Bolt	1

DO NOT SCALE DRAWING

MACHINE/COMPONENT:

Trailed Mixidisc

TITLE:

Wheel Eradicator



Drawings and design information found herein remain the sole property of Sumo UK Ltd. Reproductions may only be made with the permission of the owner.

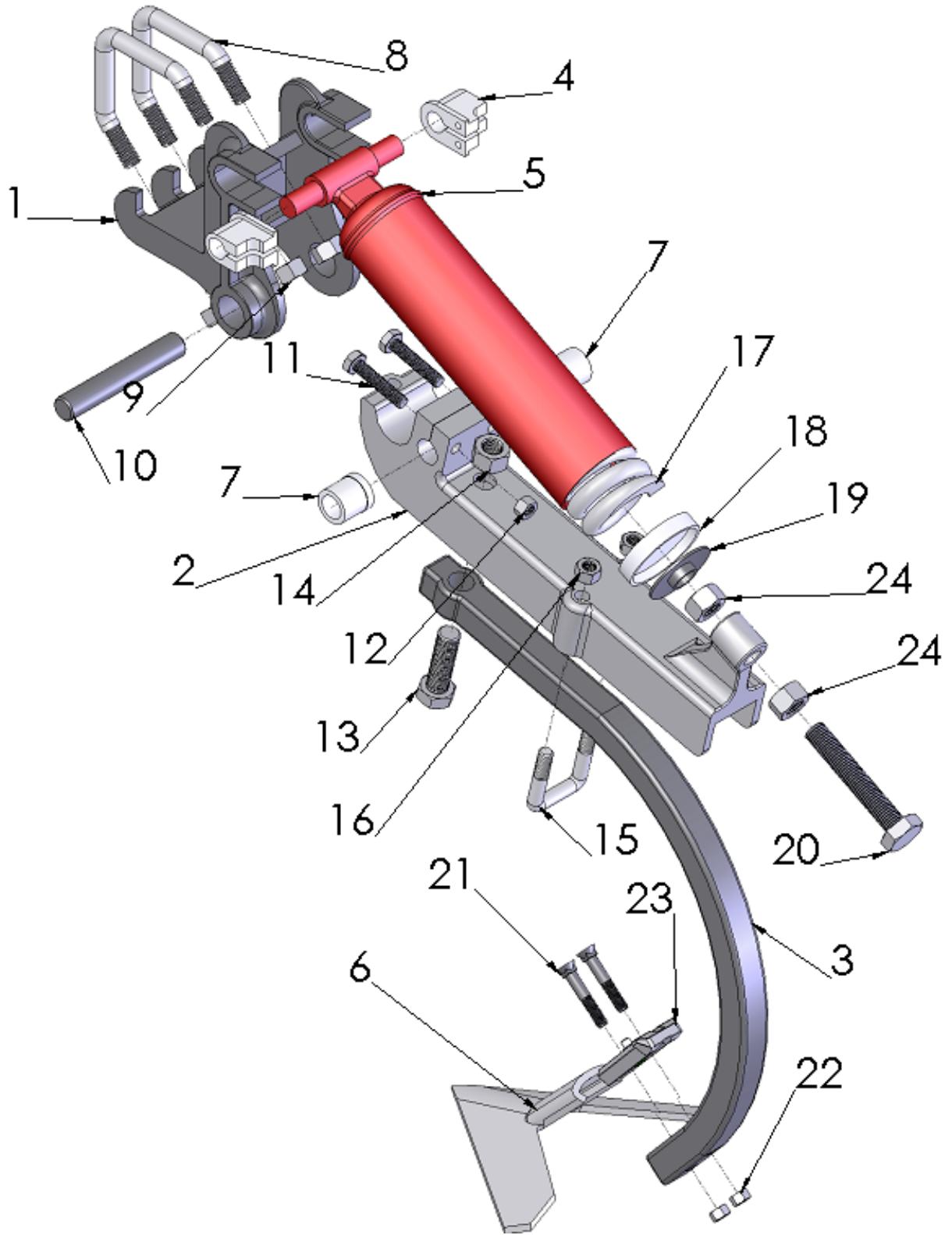
SCALE: 1:5


REVISION:

DATE: 13/02/2015

INITIAL: JF

6.14 Bellota Tine Assembly



DO NOT SCALE DRAWING	
MACHINE/COMPONENT:	Trailed Mixidisc
TITLE:	Bellotta Tine Assembly
	
<small>Drawings and design information found herein remain the sole property of Sumo UK Ltd. Reproductions may only be made with the permission of the owner.</small>	
SCALE: 1:1	REVISION:
DATE: 12/02/2015	INITIAL: JF

6.15 Bellota Tine Assembly cont.

Item	Part No.	Description
1	SWB111	Box clamp
2	SWB112	Radius arm
3	SWB113	Leg
4	SWB114	Top bush
5	SWB115	Spring cover
6	SWB116	Wide knock-on point
	SWB138	Optional Narrow knock-on point (not shown)
7	SWB117	Bottom top hat bush
8	SWM20100wa	Wrap around M20 x 100 bolt
9	SWM20003	M20 plain nut
10	SWB124	28 x 170 straight pin
11	SWM1470	M14 x 70 bolt
12	SWM14003	M14 plain nut
13	SWM2480	M24 x 80 bolt
14	SWM24004	M24 Nylock nut
15	SWM1650ub	M16 x 50 U-bolt
16	SWM16004	M16 Nylock nut
17	SWB118	Spring
18	SWB119	Spring push nylon pad
19	SWB120	Compression bolt contact plate
20	SWM24140	M24 x 140 bolt
21	SWM1265cntsk	Cntsk M12 x 65 bolt
22	SWM12003	M12 nut
23	SWB110	Bourgault knock on base
24	SWM24003	M24 nut

DO NOT SCALE DRAWING

MACHINE/COMPONENT:

Trailed Mixidisc

TITLE:

Bellotta Tine Assembly Cont.



Drawings and design information found herein remain the sole property of Sumo UK Ltd. Reproductions may only be made with the permission of the owner.

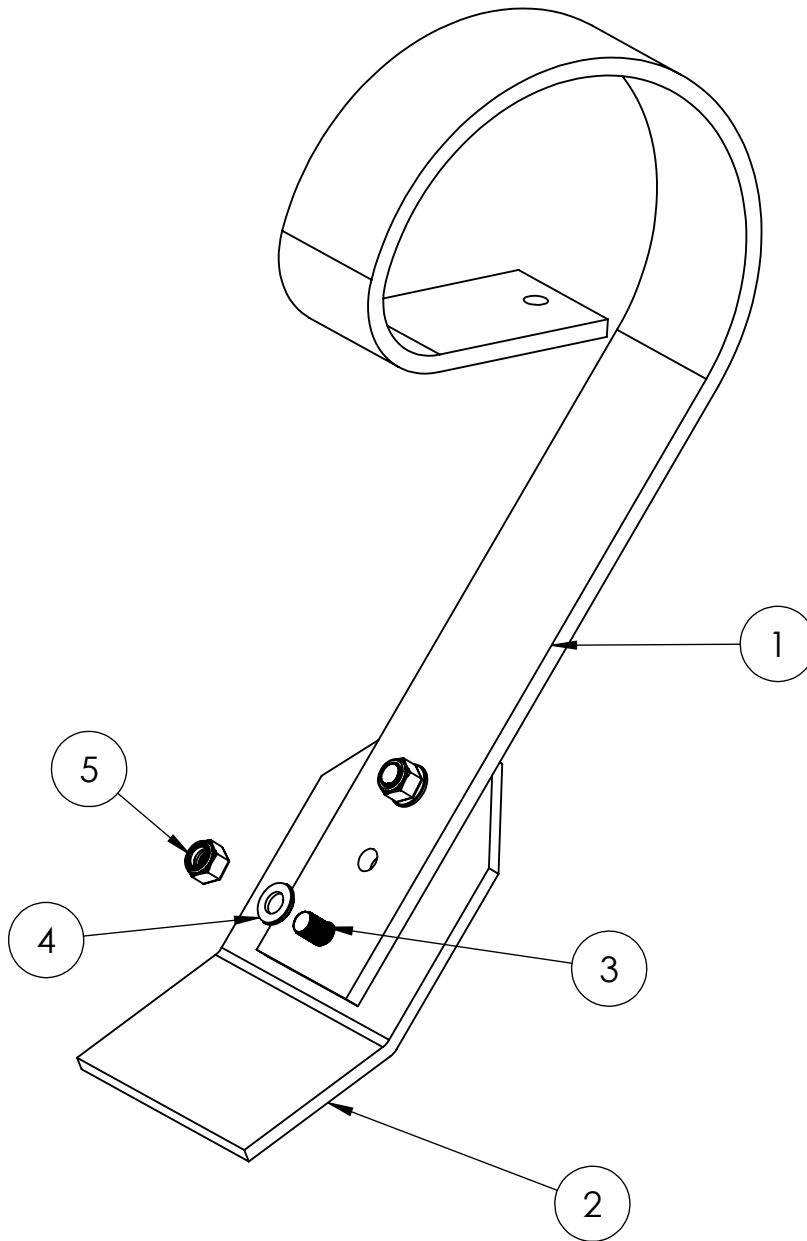
SCALE: 1:1

REVISION:


DATE: 12/02/2015

INITIAL: JF

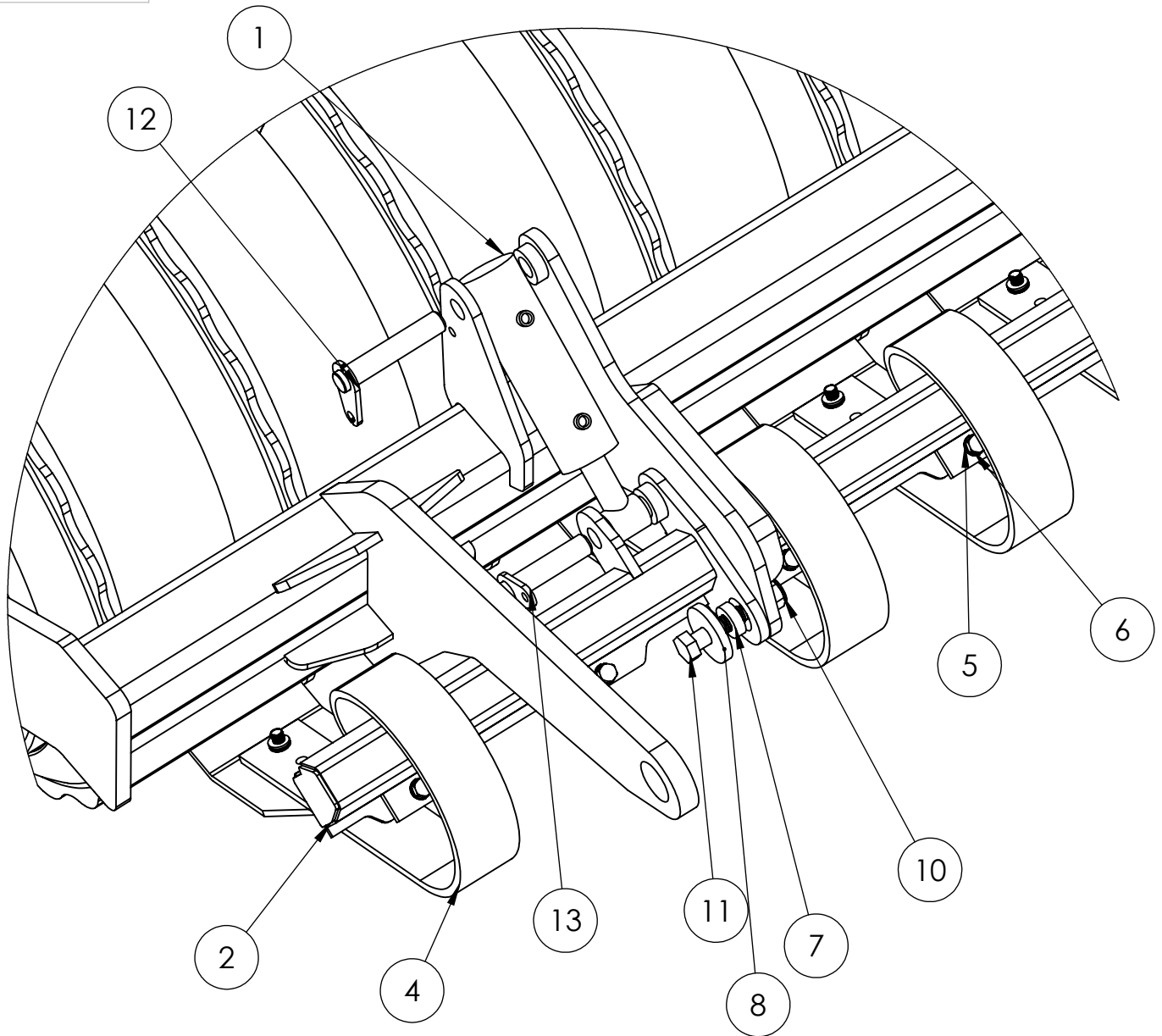
6.16 Paddle Assembly



ITEM NO.	PART NUMBER	DESCRIPTION	QTY.
1	SWB121	Paddle spring	1
2	SWB122	Bolt on paddle	1
3	SWM1235CHSQ	M12x35 Cup head bolt	2
4	SWM12001	M12 washer	2
5	SWM12004	M12 Nyloc nut	2

DO NOT SCALE DRAWING	
MACHINE/COMPONENT: Trailed Mixidisc	
TITLE: Paddle Assembly	
	
Drawings and design information found herein remain the sole property of Sumo UK Ltd. Reproductions may only be made with the permission of the owner.	
SCALE: 1:4	REVISION:
DATE: 12/02/2015	INITIAL: JF

6.17 Paddles



ITEM NO.	PART NUMBER	DESCRIPTION	QTY.
1	SWH113	703-1 Ram	4
2	SW1712	RH Paddle Bar	1
3	SW1709	LH Paddle Bar (Not Shown)	1
4	Paddle assembly	Spring paddle assembly	24
5	SWM12001	M12 washer	48
6	SWM1240	M12x40mm Bolt	24
7	SW125	12mm SR spacer	4
8	SW123	10mm SR washer	4
9	SWM20001	M20 flat washer	4
10	SWM20004	M20 Nyloc nut	4
11	SWM2070	M20x70mm Bolt	4
12	SWP25X125	25x125mm pin	4
13	SWP25x100S	25x100mm special pin	4

DO NOT SCALE DRAWING

MACHINE/COMPONENT:

Trailed Mixdisc

TITLE:

Paddles



Drawings and design information found herein remain the sole property of Sumo UK Ltd. Reproductions may only be made with the permission of the owner.








SCALE: 1:50

REVISION:

DATE: 13/02/2015

INITIAL: JF

6.18 Stickers and Paint

Sticker	Description	Quantity	Part No.
	Big Sumo horizontal sticker 450 x 125mm	2	SWB125
	Large Mixidisc sticker 320 x 125mm	4	SU095
	Small Mixidisc Sticker	4	SU096
	Big Union Jack sticker 150 x 100mm	2	SWB127
	Vertical Sumo sticker 80 x 295mm	2	SWB128
	Small Union Jack sticker	2	SWB129
	Small Sumo Horizontal Sticker	6	SWB130
Sumo touch up paint	Sumo Red	1/2 Litre	SWB131
	Sumo Black	1/2 Litre	SWB132